

# —Standard Valves—

3073-A  
Valve

## 3073-A VALVE

SINGLE ENDED WATER COOLED TRIODE.

### SPECIFICATION.

#### Cathode.

Pure Tungsten filament.  
Constant voltage type.

#### Water Jacket.

Type PL.121438/A.

#### Water Flow.

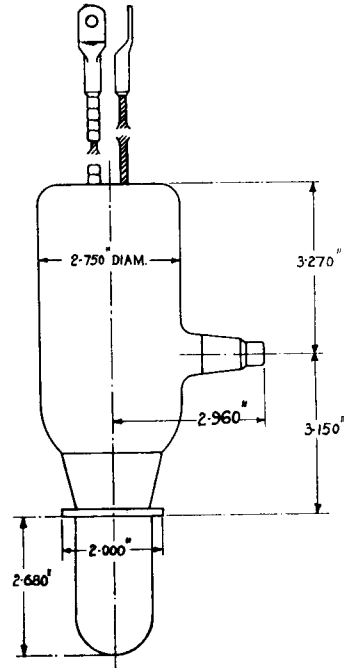
3 gallons per minute.

#### Dimensions.

Overall length  $9\frac{1}{8}"$  (23.2 cms.)  
Bulb diameter  $2\frac{3}{4}"$  (7 cms.)  
Net weight 1.2 lbs. (550 gms.)

#### Constants.

Filament voltage 10 volts  
(exact filament voltage marked  
on bulb)  
Nominal filament current 54 amps.  
Total emission 3.6 amps.  
\*Impedance 17,400 ohms  
\*Amplification factor 40  
Grid-anode capacity  $9 \mu\mu\text{F.}$   
Anode-filament capacity  $1.5 \mu\mu\text{F.}$   
Grid-filament capacity  $7 \mu\mu\text{F.}$



### LIMITING CONDITIONS FOR SAFE OPERATION.

Maximum direct anode voltage	7,500 volts
Maximum direct anode voltage for anode modulation	6,000 volts
Maximum direct anode current	0.9 amps.
Maximum anode dissipation	2.5 Kw.
Maximum grid dissipation	200 watts
Maximum frequency for above ratings	50 Mc.
Maximum anode voltage for frequency of 100 Mc.	5,000 volts

Note :—All enquiries should be addressed to :—

Les Laboratoires L.M.T.  
46, Avenue de Breteuil,  
Paris.

Tentative data

V.3073-A.1  
Nov. 1937

# —Standard Valves—

## TYPICAL OPERATING CONDITIONS.

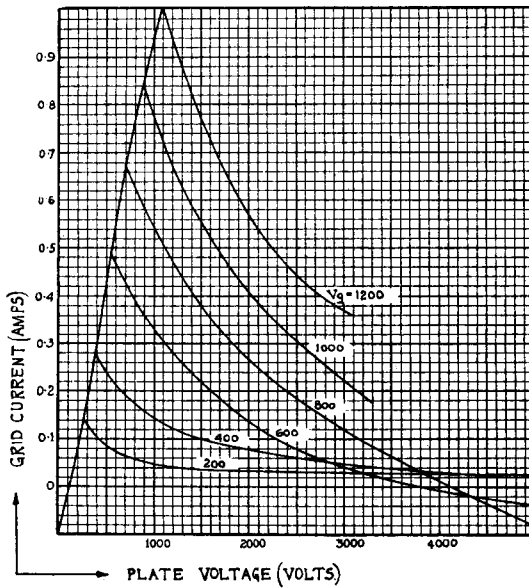
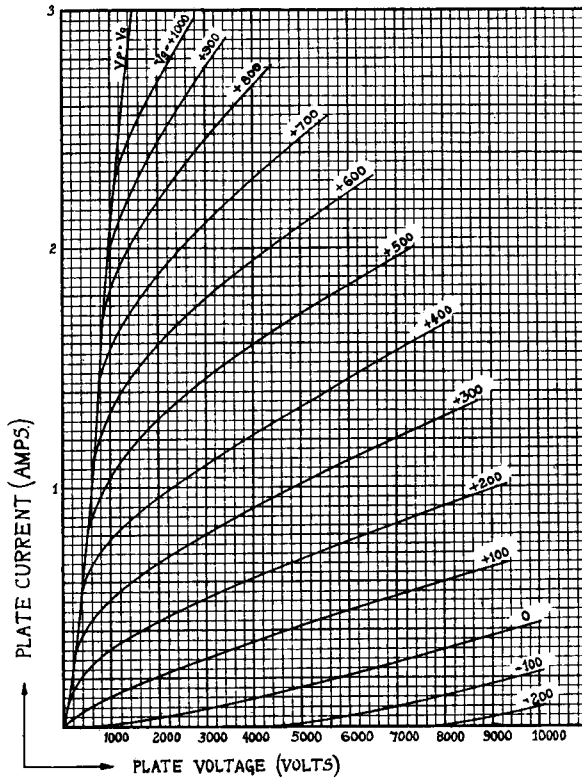
	Class B A.F. Amp. For balanced 2 valve circuit
Direct anode voltage	7,500 volts
Grid bias	—75 to —100 volts
Direct anode current per valve—zero signal	0.12 amps.
Direct anode current per valve—maximum signal	0.6 amps.
Load resistance—anode to anode	11,000 ohms
Maximum signal output—2 valves	4.9 Kw.
Anode dissipation	2 Kw.

## RADIO FREQUENCY OPERATION.

	Class B		Class C		Class C	
	Telephony		Telephony		Telegraphy	
	Modulated Carrier applied to grid		Subject to anode modulation		Unmodulated	
Direct anode voltage	7,500	5,000	6,000	4,500	7,500	5,000 volts
Direct anode current	0.4	0.3	0.4	0.3	0.9	0.8 amps
Grid Bias	—150	—80	—250	—200	—250 to —350	—200 to —300 volts
Anode dissipation	2.0	1.0	0.8	0.45	2.25	1.3 Kw.
Carrier output	1.0	0.5	1.6	0.9	4.5	2.7 Kw.
Maximum frequency	50	100	50	100	50	100 Mc.

# —Standard Valves—

3073-A  
Valve



Tentative data

V.3073-A.2  
Nov. 1937

PRINTED IN  
ENGLAND